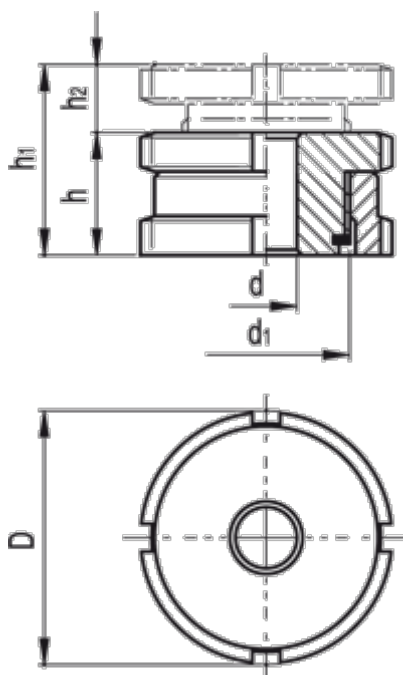


Article number: 20665155

Description: E+G Levelling set  
GN 350.1-25-6.6-NI

## Measures



C-spanner DIN 1810 = A25-28

d = 6.6

D = 25

d1 = M15x1

For screw = M6

h = 15

h1 = 19

h2 = 4

Max static load (N) = 27.1

Static preload (N) = 20.3

Weight (g) = 43